

Dedicated light source Specification

# DMA120RGB

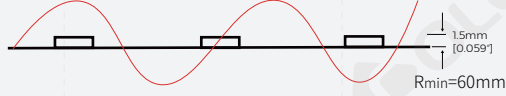
## 24V-15mm



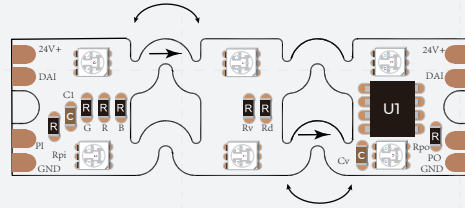


## [Product mechanical data]

- Bending angle:  $0^\circ < \theta < 10^\circ$
- Min. bend diameter:  $\phi 60\text{mm}$  [2.36"]



- Horizontal bending:  $D_{\text{min}} \geq 320\text{mm}$

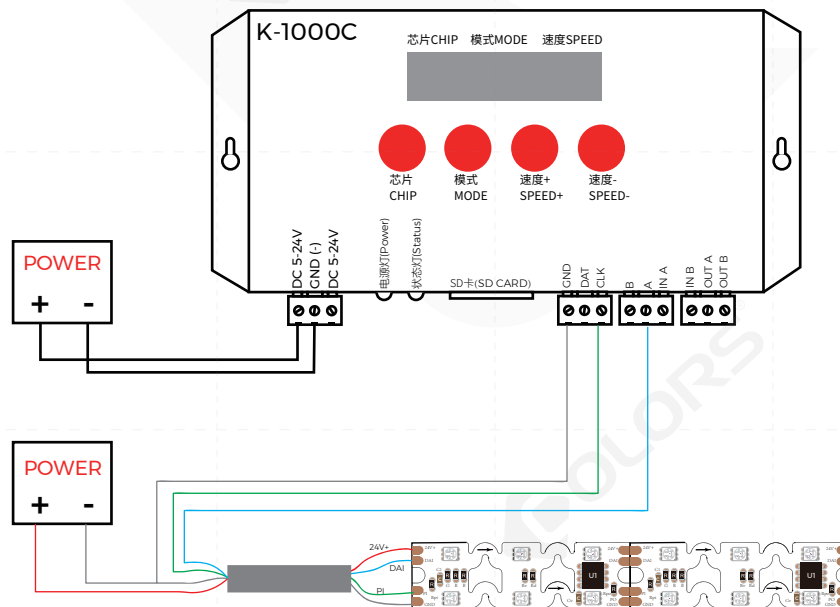


## [Accessories Information]

- Controller & Power Supply

Name	Image	Order Code	Product number	Specifications	Applicable Products
Programmable digital controller		23-01-00-0048	K-1000C	Input voltage: 24VDC Power consumption: 2W Weight: 0.35 kg Data transferring port: 1 (1*1024 pixel) Storage type: SD card Product Size: L159*W89*H24(mm) [L6.26**W3.5**H0.945"]	DMX512 light strip
Programmable digital controller		23-01-00-0050	K-8000C	Input voltage: 24VDC Power consumption: 5W Weight: 0.8 kg Data transferring port: 8 (8*1024 pixel) Storage type: SD card Product Size: L180*W120*H30(mm) [L7.09**W4.72**H1.18"]	DMX512 light strip
DC24V Constant voltage Driver		22-01-00-0374	BN-V24-100P-V1	Input Voltage: AC200-240V 50/60Hz Output voltage: 24VDC Power: 0-100W Output Current: 0-4.17A PF: $\geq 0.95$ Efficiency: 0.91 Certification: CE/CB Product Size: L365*W30*H18mm [L14.37**W1.18**H0.71"]	DC24V light strip DC24V control receiver

- Wiring diagram



**[Application]**



DREAM BIG  
SING, LAUGH, DANCE  
ALWAYS TRY YOUR BEST  
HUG OFTEN  
WORK HARD BUT PLAY HARDER  
RESPECT OTHERS  
**SMILE**  
SAY PLEASE AND THANK YOU  
BE SWEET  
SAY I LOVE YOU  
AIM FOR THE STARS

## [Packing]



IP Process	Product size(mm)	Product quantity (m/reel)	Product quantity (m/case)	NW (kg)	NW /carton/ (kg)	GW (kg)	Package size (cm)
NO	4000*15*1.5	4	120	0.18	5.4	6.5	41*41*26

### Remark:

1. The net weight of the product refers to measurement results of 0.5m wire-out. For every 1m wire-out increase, the weight is increased by 0.05kg
2. Data with 10% tolerance

## [Precautions]

- Please drive the led strip with 24VDC isolated power.
- Do not fold it in case any damage of LED beads.
- Do not pull the power wire hard to ensure the longevity. Any Crash may damage the LED light is prohibited.
- Please make sure the wire is connected to the anode and cathode correctly. The power output should be consistent with the voltage of the strip to avoid damage.
- LED lights should be stored in dry, sealed environment. Please only unpack it before usage. Ambient temperature: -20 C ~45 C. Storage temperature: 0 C ~60 C. Please use the strips without waterproof within indoor environment with humidity less than 60%.
- Please be careful during operation. Do not touch the AC power supply in case of electric shock.
- Please leave at least 20% power for the power supply during using to ensure there is enough power supply to drive the product.
- Do not use any acid or alkaline adhesives to fix the product (e.g.: glass cement).